

# EOC5610

## Business Class 802.11a/b/g Outdoor Dual Band Wireless Client Bridge/Access Point



### Key Differentiators

#### HIGH 600MW WIRELESS POWER

Ensures robust signal to overcome long distances  
Offers superior WiFi coverage than leading brands

#### 802.11A/B/G DUAL BAND SUPPORT

Provides 2.4GHz or 5GHz wireless frequency  
Operates in 5GHz band to avoid interference from 802.11b/g network devices  
802.11a offers more wireless channels than 802.11b/g

#### HIGH GAIN DUAL ANTENNA DESIGN

Embedded 13dBi (802.11a) / 5dBi (802.11b/g) panel antenna with external antenna connector RP-SMA  
High gain antenna for wireless power up to 41dB EIRP in 802.11a band  
Perfect for both Point-to-Point & Point-to-MultiPoint applications  
Upgradeable antenna to increase range and receive sensitivity

#### SIGNAL STRENGTH LED INDICATOR

Allows network installer for easy deployment

#### MULTI-FUNCTIONAL DEVICE

Offers multi operation modes for different network topologies  
Modes: Access Point/Client Bridge/Client Router

#### POWER-OVER-ETHERNET (24V POE) CAPABLE

Power and data over one single cable for convenient installation  
Less heat dissipation to ensure reliable performance  
Capable of 300 feet PoE cable length  
Power Injector Included

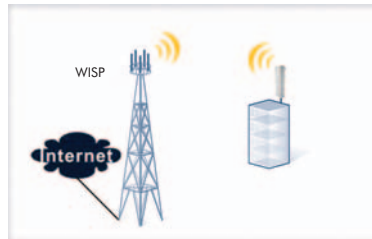
#### INTELLIGENT QUALITY OF SERVICE (QOS) TECHNOLOGY

Facilitates bandwidth priority for VoIP, video streaming, online gaming

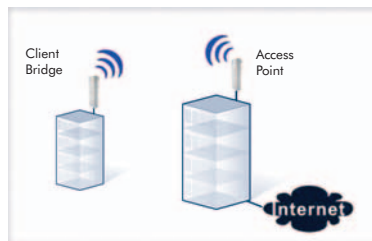
### Ideal For:



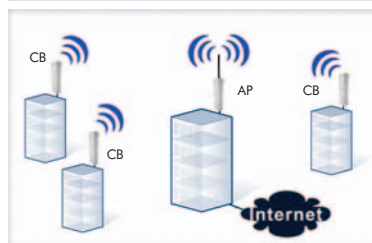
OUTDOOR CPE  
OUTDOOR WIFI



BACKHAUL



POINT-TO-POINT



POINT-TO-MULTIPOINT



# EOC5610 – Technical Specifications

Specifications may change without notice.

## HARDWARE SPECIFICATION

MCU/RF	Atheros AR2313+AR5112
Memory	32MB SDRAM
Flash	8MB
Physical Interface	One 10/100 Fast Ethernet RJ-45 Reset Button Antenna Switch ( Internal and External Switch ) 2 x RP-SMA Connector ( One is for 2.4GHz and another is for 5GHz )
LED Indicators	Power/ Status LAN (10/100Mbps) • WLAN (Wireless is up) 3x Link Quality (Client Bridge mode) Green: Excellent Quality Yellow: Good Quality Red: Poor Quality
Power Requirements	Active Ethernet (Power over Ethernet) Proprietary PoE design Power Adapter 24V / 1A DC
Regulation Certifications	FCC Part 15C/15B/15E, EN301 893, EN 300 328, EN 301 489-1/-17, EN60950, IC Certification

## RF SPECIFICATION

Frequency Band	<b>802.11a:</b> 5.150~5.350GHz, 5.470~5.725GHz, 5.725~5.825GHz <b>802.11b/g:</b> 2.412~2.472GHz			
Modulation Technology	OFDM : BPSK, QPSK, 16-QAM, 64-QAM DSSS: DBPSK, DQPSK, CCK			
Operation Channels	<b>802.11a:</b> 21 for North America <b>802.11b/g:</b> 11 for North America, 14 for Japan, 13 for Europe			
Receive Sensitivity (Typical)	IEEE 802.11a: -92dBm @ 6Mbps • -73dBm @ 54Mbps IEEE 802.11g: -92dBm @ 6Mbps • -75dBm @ 54Mbps IEEE 802.11b: -97dBm @ 1Mbps • -91dBm @ 11Mbps			
Available transmit power (Average power)	FCC		ETSI	
	Frequency	Power	Frequency	Power
	5.150~5.350 GHz IEEE802.11a	26dBm@6~24Mbps 24dBm@36Mbps 22dBm@48Mbps 20dBm@54Mbps	5.150~5.350 GHz IEEE802.11a	26dBm@6~24Mbps 24dBm@36Mbps 22dBm@48Mbps 20dBm@54Mbps
	5.470~5.725 GHz IEEE802.11a	26dBm@6~24Mbps 24dBm@36Mbps 22dBm@48Mbps 20dBm@54Mbps	5.470~5.725 GHz IEEE802.11a	26dBm@6~24Mbps 24dBm@36Mbps 22dBm@48Mbps 20dBm@54Mbps
	5.725~5.825 GHz IEEE802.11a	26dBm@6~24Mbps 24dBm@36Mbps 22dBm@48Mbps 20dBm@54Mbps	5.725~5.825 GHz IEEE802.11a	26dBm@6~24Mbps 24dBm@36Mbps 22dBm@48Mbps 20dBm@54Mbps
	2.412~2.462 GHz IEEE802.11g	26dBm@6~24Mbps 24dBm@36Mbps 23dBm@48Mbps 22dBm@54Mbps	2.412~2.472 GHz IEEE802.11g	26dBm@6~24Mbps 24dBm@36Mbps 23dBm@48Mbps 22dBm@54Mbps
2.412~2.462 GHz IEEE802.11b	27dBm@1~11Mbps	2.412~2.472 GHz IEEE802.11b	27dBm@1~11Mbps	
Internal Antenna	Gain	5dBi		13dBi
	Radiation	Directional		Directional
	Frequency Band Range	2.4-2.5GHz		5.1-5.8GHz
	Horizontal -3dB Bandwidth	40°		42°
Vertical -3dB Bandwidth	40°		21°	
External Antenna	2 x RP-SMA Female connector (for 2.4GHz and 5GHz individually)			

## SOFTWARE FEATURES

Topology	Infrastructure	
Protocol / Standard	IEEE 802.3 (Ethernet) IEEE 802.3u (Fast Ethernet) IEEE 802.11b/g (2.4GHz WLAN)	
Operation Mode	802.11 a/b/g: Access Point/Client Bridge/Client Router	
LAN	DHCP Server DHCP Client	
VPN	VPN pass-through	
Wireless	Channel Selection (Setting varies by countries) Transmission Rate 11a/b/g: 54, 48, 36, 24, 18, 12, 11, 9, 6, 5.5, 2, 1 in Mbps Long distance transmission: 1km to 30km (Ack timeout) Transmit power table Signal Strength indication using LEDs	
	PPPoE ( CR mode ) Preferred SSID	
Security	WEP Encryption-64/128/152 bit WPA/WPA2 Personal (WPA-PSK using TKIP or AES) WPA/WPA2 Enterprise (WPA-EAP using TKIP) 802.1x Authenticator Hide SSID in beacons MAC address filtering, up to 50 field Wireless STA (Client) connected list	
	QoS	WMM

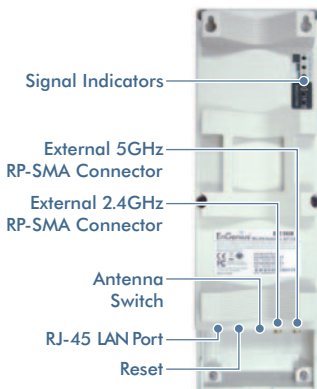
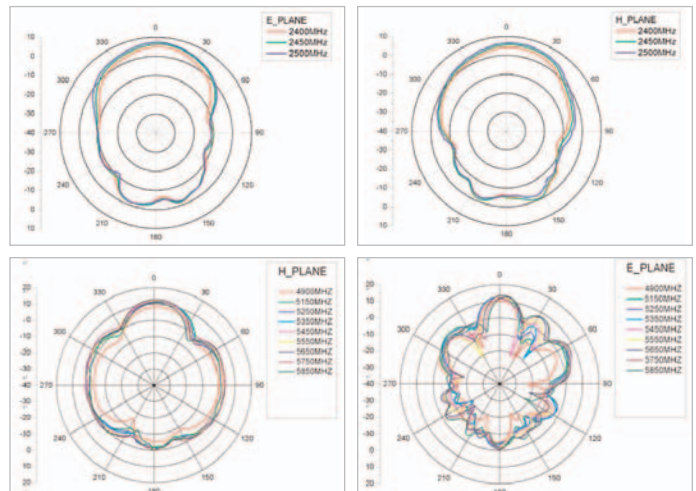
## MANAGEMENT

Configuration	Web-based configuration (HTTP)
Firmware Upgrade	Upgrade firmware via web-browser Keep latest setting when f/w update
Administrator Setting	Administrator password change
Reset Setting	Reboot (press 1 second) • Reset to Factory Default (press 5 second)
System monitoring	Status, Event Log
SNMP	v1, v2c
MIB	MIB I, MIB II (RFC1213)
Backup & Restore	Settings through Web
Time setting	NTP (Auto-setting of time) Time setting manually

## ENVIRONMENT & PHYSICAL

Temperature Range	Operating: -20°C to 70°C (-4°F to 158°F) Storage: -30°C to 80°C (-22°F to 176°F)
Humidity (non-condensing)	0% ~ 95% typical
Dimensions	L: 10.24" (260mm) x W: 3.31" (84mm) x H: 2.17" (55mm)
Weight	0.66 lb. (300g)

### Internal Antenna Pattern



### EnGenius Technologies

1580 Scenic Avenue  
Costa Mesa, CA 92626 • USA  
888.735.7888

